

# FIRE POWER®



## **OPERATING INSTRUCTIONS**

### **BATTERY CHARGER MODEL NO. 490-2907**

Designed and Engineered in the USA

Save these instructions and read before using charger

# IMPORTANT SAFETY INSTRUCTIONS

1. **SAVE THESE INSTRUCTIONS.** This manual contains important safety and operating instructions for Fire Power model no. 490-2907.
2. Do not expose charger to rain or snow.
3. Use of an attachment not recommended or sold by the battery charger manufacturer may result in a risk of fire, electric shock or injury to persons.
4. To reduce risk of damage to electric plug and cord, pull by plug rather than cord when disconnecting charger.
5. An extension cord should not be used unless absolutely necessary. Use of improper extension cord could result in a risk of fire and electric shock. If an extension cord must be used, make sure:
  - a. pins on plug of extension cord are the same number, size and shape as those of plug on charger;
  - b. extension cord is properly wired and in good electrical condition; and
  - c. wire size is large enough for AC ampere rating of charger as specified in Table 1.

**Table 1. Extension cord wire size**

Length of cord, feet (m)	25 (7.6)	50 (15.2)	100 (30.5)	150 (45.6)
AWG size of cord	18	18	18	16

6. Do not operate charger with damaged cord or plug – replace the cord or plug immediately.
7. Do not operate charger if it has received a sharp blow, been dropped or otherwise damaged in any way; take it to a qualified serviceman.
8. Do not disassemble charger; take it to a qualified serviceman when service or repair is required. Incorrect reassembly may result in a risk of electric shock or fire.
9. To reduce risk of electric shock, unplug charger from outlet before attempting any maintenance or cleaning. Turning off controls will not reduce this risk.
10. **WARNING: RISK OF EXPLOSIVE GASES.**
  - a. **WORKING IN VICINITY OF A LEAD-ACID BATTERY IS DANGEROUS. BATTERIES GENERATE EXPLOSIVE GASES DURING NORMAL BATTERY OPERATION. FOR THIS REASON, IT IS OF UTMOST IMPORTANCE THAT YOU FOLLOW THE INSTRUCTIONS EACH TIME YOU USE THE CHARGER.**
  - b. To reduce risk of battery explosion, follow these instructions and those published by battery manufacturer and manufacturer of any equipment you intend to use in vicinity of battery. Review cautionary marking on these products and on engine.
11. **PERSONAL PRECAUTIONS**
  - a. Consider having someone close enough by to come to your aid when you work near a lead-acid battery.
  - b. Have plenty of fresh water and soap nearby in case battery acid contacts skin, clothing, or eyes.
  - c. Wear complete eye protection and clothing protection. Avoid touching eyes while working near battery.
  - d. If battery acid contacts skin or clothing, wash immediately with soap and water. If acid enters eye, immediately flood eye with running cold water for at least 10 minutes and get medical attention immediately.
  - e. NEVER smoke or allow a spark or flame in vicinity of battery or engine.
  - f. Be extra cautious to reduce risk of dropping a metal tool onto battery. It might spark or short-circuit battery or other electrical part that may cause explosion.

- g. Remove personal metal items such as rings, bracelets, necklaces and watches when working with a lead-acid battery. A lead-acid battery can produce a short-circuit current high enough to weld a ring or the like to metal, causing a severe burn.
- h. Charge only battery types listed in the Operating Instructions. This battery charger is not intended to supply power to a low voltage electrical system other than in a starter motor application.  
**WARNING:** Do not use battery charger for charging dry-cell batteries that are commonly used with home appliances. These batteries may burst and cause injury to persons and damage to property.
- i. NEVER charge a frozen battery.

## 12. PREPARING TO CHARGE

- a. If necessary to remove battery from vehicle to charge, always remove grounded terminal from battery first. Make sure all accessories in the vehicle are off, so as not to cause an arc.
- b. Be sure area around battery is well ventilated while battery is being charged.
- c. Clean battery terminals. Be careful to keep corrosion from coming in contact with eyes.
- d. Add distilled water in each cell until battery acid reaches level specified by battery manufacturer. Do not overfill. For a battery without removable cell caps, such as valve-regulated lead-acid batteries, carefully follow manufacturer's recharging instructions.
- e. Study all battery manufacturer's specific precautions while charging and recommended rates of charge.
- f. Determine voltage of battery by referring to car owner's manual and make sure that output voltage selector switch is set at correct voltage. If charger has adjustable charge rate, charge battery initially at lowest rate.

## 13. CHARGER LOCATION

- a. Locate charger as far away from battery as DC cables permit.
- b. Never place charger directly above battery being charged; gases from battery will corrode and damage charger.
- c. Never allow battery acid to drip on charger when reading electrolyte specific gravity or filling battery.
- d. Do not operate charger in a closed-in area or restrict ventilation in any way.
- e. Do not set a battery on top of charger.

## 14. DC CONNECTION PRECAUTIONS

- a. Connect and disconnect DC output clips only after setting any charger switches to OFF position and removing AC cord from electric outlet. Never allow clips to touch each other.
- b. Attach clips to battery and chassis as indicated in 15(e), 15(f), and 16(b) through 16(d).

## 15. FOLLOW THESE STEPS WHEN BATTERY IS INSTALLED IN VEHICLE. A SPARK NEAR BATTERY MAY CAUSE BATTERY EXPLOSION. TO REDUCE RISK OF A SPARK NEAR BATTERY:

- a. Position AC and DC cords to reduce risk of damage by hood, door, or moving engine part.
- b. Stay clear of fan blades, belts, pulleys and other parts that can cause injury to persons.
- c. Check polarity of battery posts. POSITIVE (POS, P, +) battery post usually has larger diameter than NEGATIVE (NEG, N, -) post.
- d. Determine which post of battery is grounded (connected) to the chassis. If negative post is grounded to chassis (as in most vehicles), see (e). If positive post is grounded to the chassis, see (f).

- e. For negative-grounded vehicle, connect POSITIVE (RED) clip from battery charger to POSITIVE (POS, P, +) ungrounded post of battery. Connect NEGATIVE (BLACK) clip to vehicle chassis or engine block away from battery. Do not connect clip to carburetor, fuel lines or sheet-metal body parts. Connect to a heavy gauge metal part of the frame or engine block.
  - f. For positive-grounded vehicle, connect NEGATIVE (BLACK) clip from battery charger to NEGATIVE (NEG, N, -) ungrounded post of battery. Connect POSITIVE (RED) clip to vehicle chassis or engine block away from battery. Do not connect clip to carburetor, fuel lines, or sheet-metal body parts. Connect to a heavy gauge metal part of the frame or engine block.
  - g. When disconnecting charger, turn switches to off, disconnect AC cord, remove clip from vehicle chassis and then remove clip from battery terminal.
  - h. See Operating Instructions for length of charge information.
16. **FOLLOW THESE STEPS WHEN BATTERY IS OUTSIDE VEHICLE. A SPARK NEAR THE BATTERY MAY CAUSE BATTERY EXPLOSION. TO REDUCE RISK OF A SPARK NEAR BATTERY:**
- a. Check polarity of battery posts. POSITIVE (POS, P, +) battery post usually has a larger diameter than NEGATIVE (NEG, N, -) post.
  - b. Attach at least a 24-inch-long 6-gauge (AWG) insulated battery cable to NEGATIVE (NEG, N, -) battery post.
  - c. Connect POSITIVE (RED) charger clip to POSITIVE (POS, P, +) post of battery.
  - d. Position yourself and free end of cable as far away from battery as possible - then connect NEGATIVE (BLACK) charger clip to free end of cable.
  - e. Do not face battery when making final connection.
  - f. When disconnecting charger, always do so in reverse sequence of connecting procedure and break first connection while as far away from battery as practical.
  - g. A marine (boat) battery must be removed and charged onshore. To charge it on board requires equipment specially designed for marine use.

**⚠ WARNING:** This product can expose you to chemicals including LEAD, which is known to the State of California to cause cancer and birth defects or other reproductive harm. For more information go to [www.P65Warnings.ca.gov](http://www.P65Warnings.ca.gov).

**⚠ When using this appliance always exercise basic safety precautions including the following:**

- This charger is not intended for use by children.
- The supply cord cannot be replaced. If the cord is damaged the appliance should be scrapped.
- Examine the battery charger regularly for damage, especially the cord, plug and enclosure, if the battery charger is damaged, it must not be used until it has been repaired.

## **FCC WARNING**

Title 47 Subpart, 15.IOS(b)

Note: This equipment has been tested and found to comply with the limits for a class B digital device, pursuant to part 15 of the FCC Rules. These limits are designed to provide reasonable protection against harmful interference in residential installation. This equipment generates, uses and can radiate radio frequency energy and, if not installed and used in accordance with the instructions, may cause harmful interference to radio television reception, which can be determined by tuning the equipment off and on, the user is encouraged to try to correct the interference by one or more of the following measures:

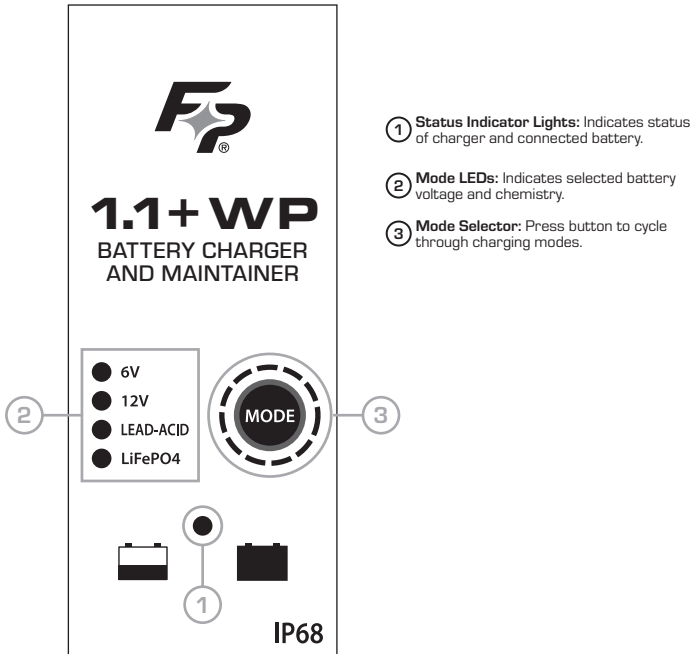
- Reorient or relocate the receiving antenna.
- Increase the separation between the equipment and receiver.
- Connect the equipment into an outlet on a circuit different from that to which the receiver is connected.
- Consult the dealer or an experienced radio/TV technician for help.

## ICES-001: INDUSTRIAL, SCIENTIFIC, AND MEDICAL (ISM) RADIO FREQUENCY GENERATORS

This product has been tested with the listed standards and found to be compliant with the Code of Industry Canada ES-001 and the measurement Procedure according to CISPR 11.

CAN ICES-001 (B)/NMB-001 (B)

## FEATURES



**Table 2. Status Indicator Operation**

Status Indicator Lights	Description
Flashing yellow	AC power is applied; battery is not connected
Solid yellow	Battery is charging and is less than 80% charged
Flashing green	Battery is greater than 80% charged
Solid green	Battery charge is complete; battery maintained at 100% charge level

**Table 3. Warning Indication**

Indication	Description/ Action
Flashing 6V or 12V light	The battery may be defective or the incorrect battery voltage has been selected. If the proper battery voltage is selected, take the battery to the dealer to be tested.
Flashing LiFePO4 light	The charger is attempting to recover a heavily discharged lithium battery back to a normal state.
Alternating yellow and green Status Indicator Lights	The charge has detected a reverse polarity connection to the battery. Check that the battery is connected properly. If the battery is connected properly, take the battery to the dealer to be tested.

## CHARGING MODES

Model no. 490-2907 has a mode selector button to select 6V or 12V lead-acid or LiFePO4 batteries.

**WARNING:** LiFePO4 mode should be selected only when charging LiFePO4 batteries with a built-in Battery Management System (BMS). Always consult the battery manufacturer to verify the suitability of the charger before charging.

## OPERATING INSTRUCTIONS

**WARNING: Only use model no. 490-2907 with LEAD-ACID and LiFePO4 batteries.**

The recommended rated capacity of batteries to be recharged:

- Lead-Acid, 5–55Ah
- LiFePO4, up to 10Ah

### SET OPERATING MODE

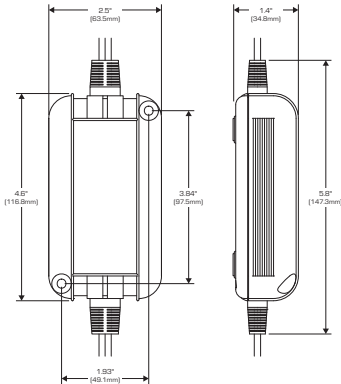
1. Verify the voltage and chemistry of the battery to be charged.
2. Apply AC power to the charger by plugging it into an AC outlet.
3. Cycle through operating modes by pressing the Mode Selector button. Stop pressing the button when the desired voltage and chemistry is selected.
4. Disconnect AC power from the charger by removing it from the AC outlet.

### CONNECT CHARGER TO BATTERY

1. Verify AC power has been disconnected from the charger. Do not connect the charger to AC power until all other connections are properly made.
2. Attach charger clips as indicated in 15(e), 15(f), and 16(b) through 16(d) in the preceding the safety instructions.

## BEGIN CHARGING

1. Verify that the charger is connected properly to the battery to be charged.
2. Apply AC power to the charger by plugging it into an AC outlet.
3. Verify the selected charging mode matches the battery that is connected to the charger.
4. Charging has commenced when the Status Indicator Light is solid yellow or flashing green.
5. The charger can be left connected to the battery indefinitely to maintain full charge.



**Table 4. Charge Times in Hours**  
(actual results may vary)

Battery Size	Lead-Acid	LiFePO4
2AH	1.4	1.8
4AH	2.8	3.6
8AH	5.5	7.3
10AH	6.9	9.1
12AH	8.3	N/A
20AH	13.8	N/A
35AH	24.1	N/A
55AH	37.8	N/A

## LIMITED WARRANTY

**FIRE POWER MAKES THIS LIMITED WARRANTY TO THE ORIGINAL PURCHASER OF THIS PRODUCT FROM FIRE POWER OR FROM A FIRE POWER APPROVED RESELLER OR DISTRIBUTOR. THIS LIMITED WARRANTY IS NOT TRANSFERABLE OR ASSIGNABLE.**

Fire Power warrants that this battery charger product will be free from defects in material and workmanship for three years from the date of purchase, [the "Warranty Period"]. With NO proof of purchase, the warranty period begins on the date code printed on the ratings label. Any products found to be defective due to material or workmanship, during the warranty period, will be repaired or replaced at the discretion of Fire Power. Repaired or replacement chargers will be warranted for the remainder of the original warranty period. The original purchaser is responsible to ship the defective product, prepaid to Fire Power for repair or replacement.

**THIS WARRANTY IS VOID AND DOES NOT APPLY TO PRODUCTS THAT:**

1. are misused, subjected to abuse or careless handling, accident, or operated under conditions of extreme voltage, temperature, shock or vibration beyond Fire Power's recommendations for safe and effective use;
2. are modified without the express written consent of Fire Power;
3. have been disassembled or repaired by anyone other than a Fire Power authorized service provider.

**THIS WARRANTY DOES NOT COVER:**

1. normal wear and tear;
2. cosmetic damage that does not affect functionality; or
3. products where the original serial number is missing, altered, or defaced.

**TO INITIATE A WARRANTY CLAIM**, please return to the dealer where the product was purchased.

Fire Power makes no other warranties, including, but not limited to, express, implied or statutory warranties, including without limitation, any implied warranty of merchantability or implied warranty of fitness for a particular purpose. Further, Fire Power shall not be liable for any incidental, special or consequential damage claims incurred by purchasers, users or others associated with this product, including, but not limited to, lost profits, revenues, anticipated sales, business opportunities, goodwill, business interruption and any other injury or damage. Any and all such warranties, other than the limited warranty included herein, are hereby expressly disclaimed and excluded. Some states do not allow the exclusion or limitation of incidental or consequential damages or length of implied warranty, so the above limitations or exclusions may not apply to you. This warranty gives you specific legal rights and it is possible you may have other rights which vary from this warranty.

# FIRE POWER®



## MODE D'EMPLOI CHARGEUR DE BATTERIE MODÈLE N°. 490-2907

Conçu et fabriqué aux États-Unis

Conserver ces instructions et les lire avant d'utiliser le chargeur

# INSTRUCTIONS DE SÉCURITÉ IMPORTANTES

1. **CONSERVER CES INSTRUCTIONS.** Ce manuel contient d'importantes instructions de sécurité et d'utilisation pour le modèle Fire Power no. 490-2907.
2. Ne pas exposer le chargeur à la pluie ou à la neige.
3. L'utilisation d'un accessoire non recommandé ou non vendu par le fabricant du chargeur de batterie peut entraîner un risque d'incendie, d'électrocution ou de blessure.
4. Pour réduire le risque d'endommagement de la fiche et du cordon électriques, tirez sur la fiche plutôt que sur le cordon lorsque vous débranchez le chargeur.
5. Une rallonge ne doit être utilisée qu'en cas d'absolue nécessité. L'utilisation d'une rallonge inadaptée peut entraîner un risque d'incendie et d'électrocution. Si une rallonge doit être utilisée, assurez-vous que
  - a. les broches de la fiche de la rallonge sont du même nombre, de la même taille et de la même forme que celles de la fiche du chargeur ;
  - b. la rallonge est correctement câblée et en bon état électrique ; et
  - c. que le calibre du fil est suffisant pour l'intensité nominale en courant alternatif du chargeur, comme indiqué dans le tableau 1.

Tableau 1. Calibre des fils de la rallonge

Longueur du cordon, pieds (m)	25 (7,6)	50 (15,2)	100 (30,5)	150 (45,6)
Taille AWG du cordon	18	18	18	16

6. Ne pas faire fonctionner le chargeur avec un cordon ou une fiche endommagé(e) – remplacer immédiatement le cordon ou la fiche.
7. Ne pas utiliser le chargeur s'il a reçu un coup violent, s'il est tombé ou s'il a été endommagé de quelque manière que ce soit ; le confier à un réparateur qualifié.
8. Ne pas démonter le chargeur ; le confier à un technicien qualifié en cas de réparation ou d'entretien. Un réassemblage incorrect peut entraîner un risque de choc électrique ou d'incendie.
9. Pour réduire le risque d'électrocution, débranchez le chargeur de la prise de courant avant de procéder à toute opération d'entretien ou de nettoyage. Le fait d'éteindre les commandes ne réduit pas ce risque.
10. **AVERTISSEMENT : RISQUE DE GAZ EXPLOSIFS.**
  - a. IL EST DANGEREUX DE TRAVAILLER À PROXIMITÉ D'UNE BATTERIE AU PLOMB. LES BATTERIES GÉNÈRENT DES GAZ EXPLOSIFS LORS DE LEUR FONCTIONNEMENT NORMAL. POUR CETTE RAISON, IL EST DE LA PLUS HAUTE IMPORTANCE QUE VOUS SUIVIEZ LES INSTRUCTIONS CHAQUE FOIS QUE VOUS UTILISEZ LE CHARGEUR.
  - b. Pour réduire le risque d'explosion de la batterie, suivez ces instructions et celles publiées par le fabricant de la batterie et le fabricant de tout équipement que vous avez l'intention d'utiliser à proximité de la batterie. Lisez les avertissements figurant sur ces produits et sur le moteur.
11. **PRÉCAUTIONS PERSONNELLES**
  - a. Pensez à avoir quelqu'un d'assez proche pour vous venir en aide lorsque vous travaillez à proximité d'une batterie au plomb.
  - b. Ayez de l'eau fraîche et du savon à portée de main au cas où l'acide de la batterie entrerait en contact avec la peau, les vêtements ou les yeux.
  - c. Portez une protection complète des yeux et des vêtements. Évitez de toucher les yeux lorsque vous travaillez à proximité d'une batterie.
  - d. Si l'acide de la batterie entre en contact avec la peau ou les vêtements, laver immédiatement avec de l'eau et du savon. Si l'acide entre en contact avec les yeux, les

inonder immédiatement avec de l'eau froide courante pendant au moins 10 minutes et consulter immédiatement un médecin.

- e. Ne fumez JAMAIS et ne laissez jamais d'étincelles ou de flammes à proximité de la batterie ou du moteur.
- f. Soyez très prudent afin de réduire le risque de chute d'un outil métallique sur la batterie. Cela pourrait provoquer une étincelle ou un court-circuit de la batterie ou d'une autre partie électrique, ce qui pourrait entraîner une explosion.
- g. Retirez vos objets métalliques personnels tels que bagues, bracelets, colliers et montres lorsque vous travaillez avec une batterie au plomb. Une batterie au plomb peut produire un courant de court-circuit suffisamment élevé pour souder une bague ou un objet similaire au métal et provoquer de graves brûlures.
- h. Ne chargez que les types de batterie répertoriés dans le mode d'emploi. Ce chargeur de batterie n'est pas destiné à alimenter un système électrique basse tension autre qu'un démarreur.  
**AVERTISSEMENT** : N'utilisez pas le chargeur de batterie pour charger les piles sèches couramment utilisées dans les appareils électroménagers. Ces batteries risquent d'éclater et de provoquer des blessures et des dégâts matériels.
- i. Ne chargez JAMAIS une batterie gelée.

## 12. PRÉPARATION DE LA CHARGE

- a. S'il est nécessaire de retirer la batterie du véhicule pour la charger, commencez toujours par retirer la borne de mise à la terre de la batterie. Assurez-vous que tous les accessoires du véhicule sont éteints, afin de ne pas provoquer d'arc électrique.
- b. Veillez à ce que la zone autour de la batterie soit bien ventilée pendant la charge.
- c. Nettoyez les bornes de la batterie. Veillez à ce que la corrosion n'entre pas en contact avec les yeux.
- d. Ajouter de l'eau distillée dans chaque élément jusqu'à ce que l'acide de la batterie atteigne le niveau spécifié par le fabricant de la batterie. Ne pas trop remplir. Dans le cas d'une batterie sans couvercle amovible, comme les batteries Acide de plomb à régulation par soupape, suivre attentivement les instructions de recharge du fabricant.
- e. Étudiez toutes les précautions spécifiques du fabricant de la batterie pendant la charge et les taux de charge recommandés.
- f. Déterminez la tension de la batterie en vous référant au manuel du propriétaire de la voiture et assurez-vous que le sélecteur de tension de sortie est réglé sur la tension correcte. Si le chargeur est doté d'un taux de charge réglable, chargez d'abord la batterie au taux le plus bas.

## 13. EMPLACEMENT DU CHARGEUR

- a. Placer le chargeur aussi loin de la batterie que le permettent les câbles de courant continu.
- b. Ne jamais placer le chargeur directement au-dessus de la batterie en cours de charge ; les gaz de la batterie corroderaient et endommageraient le chargeur.
- c. Ne jamais laisser l'acide de la batterie s'égoutter sur le chargeur lors de la lecture de la densité de l'électrolyte ou du remplissage de la batterie.
- d. Ne pas faire fonctionner le chargeur dans un endroit fermé ou restreindre la ventilation de quelque manière que ce soit.
- e. Ne pas poser de batterie sur le chargeur.

## 14. PRÉCAUTIONS CONCERNANT LES CONNEXIONS C.C.

- a. Ne connecter et déconnecter les pinces de sortie CC qu'après avoir mis tous les interrupteurs du chargeur en position OFF et débranché le cordon CA de la prise électrique. Ne jamais laisser les pinces se toucher.

- b. Fixez les pinces à la batterie et au châssis comme indiqué aux points 15(e), 15(f) et 16(b) à 16(d).
- 15. SUIVRE CES ÉTAPES LORSQUE LA BATTERIE EST INSTALLÉE DANS LE VÉHICULE. UNE ETINCELLE A PROXIMITÉ DE LA BATTERIE PEUT PROVOQUER SON EXPLOSION. POUR RÉDUIRE LE RISQUE D'ÉTINCELLE À PROXIMITÉ DE LA BATTERIE :**
- a. Placez les cordons CA et CC de manière à réduire le risque de dommages causés par un capot, une porte ou une pièce mobile du moteur.
  - b. Restez à l'écart des pales de ventilateur, des courroies, des poulies et d'autres pièces susceptibles de blesser des personnes.
  - c. Vérifiez la polarité des bornes de la batterie. La borne POSITIVE (POS, P, +) de la batterie a généralement un diamètre plus important que la borne NEGATIVE (NEG, N, -).
  - d. Déterminez quelle borne de la batterie est mise à la terre (connectée) au châssis. Si la borne négative est reliée au châssis (comme dans la plupart des véhicules), voir (e). Si la borne positive est reliée au châssis, voir (f).
  - e. Dans le cas d'un véhicule mis à la masse négative, connectez la pince POSITIVE (ROUGE) du chargeur de batterie à la borne POSITIVE (POS, P, +) non mise à la masse de la batterie. Connecter la pince NÉGATIVE (NOIRE) au châssis du véhicule ou au bloc moteur, à l'écart de la batterie. Ne pas connecter la pince au carburateur, aux conduites de carburant ou aux pièces de carrosserie en tôle. Connectez-la à une partie métallique de gros calibre du châssis ou du bloc moteur.
  - f. Pour un véhicule mis à la terre, connecter la pince NEGATIVE (NOIRE) du chargeur de batterie à la borne NEGATIVE (NEG, N, -) non mise à la terre de la batterie. Connecter la pince POSITIVE (ROUGE) au châssis du véhicule ou au bloc moteur, à l'écart de la batterie. Ne pas connecter la pince au carburateur, aux conduites de carburant ou aux pièces de carrosserie en tôle. Connectez-la à une partie métallique de gros calibre du châssis ou du bloc moteur.
  - g. Lorsque vous débranchez le chargeur, mettez les interrupteurs sur arrêt, débranchez le cordon d'alimentation, retirez le clip du châssis du véhicule, puis retirez le clip de la borne de la batterie.
  - h. Voir les instructions d'utilisation pour des informations sur la durée de la charge.
- 16. SUIVRE CES ÉTAPES LORSQUE LA BATTERIE EST À L'EXTÉRIEUR DU VÉHICULE. UNE ETINCELLE PRES DE LA BATTERIE PEUT PROVOQUER UNE EXPLOSION DE LA BATTERIE. POUR RÉDUIRE LE RISQUE D'ÉTINCELLE À PROXIMITÉ DE LA BATTERIE :**
- a. Vérifiez la polarité des bornes de la batterie. La borne POSITIVE (POS, P, +) de la batterie a généralement un diamètre plus important que la borne NEGATIVE (NEG, N, -).
  - b. Fixez un câble de batterie isolé de calibre 6 (AWG) d'au moins 24 pouces de long à la borne NEGATIVE (NEG, N, -) de la batterie.
  - c. Connectez la pince POSITIVE (ROUGE) du chargeur à la borne POSITIVE (POS, P, +) de la batterie.
  - d. Placez-vous et placez l'extrémité libre du câble aussi loin que possible de la batterie, puis connectez la pince de chargeur NÉGATIVE (NOIRE) à l'extrémité libre du câble.
  - e. Ne faites pas face à la batterie lorsque vous effectuez la connexion finale.
  - f. Lorsque vous débranchez le chargeur, faites-le toujours dans l'ordre inverse de la procédure de branchement et rompez la première connexion en vous tenant aussi loin que possible de la batterie.
  - g. Une batterie marine (de bateau) doit être retirée et chargée à terre. Pour la charger à bord, il faut un équipement spécialement conçu pour un usage marin.

**⚠ AVERTISSEMENT :** Ce produit peut vous exposer à des produits chimiques, y compris le PLOMB, qui est reconnu par l'État de Californie comme une cause de cancer et d'anomalies

congénitales ou d'autres troubles de la reproduction. Pour plus d'informations, consultez le site [www.P65Warnings.ca.gov](http://www.P65Warnings.ca.gov).

**⚠ Lors de l'utilisation de cet appareil, il convient de prendre des mesures de sécurité élémentaires, notamment les suivantes :**

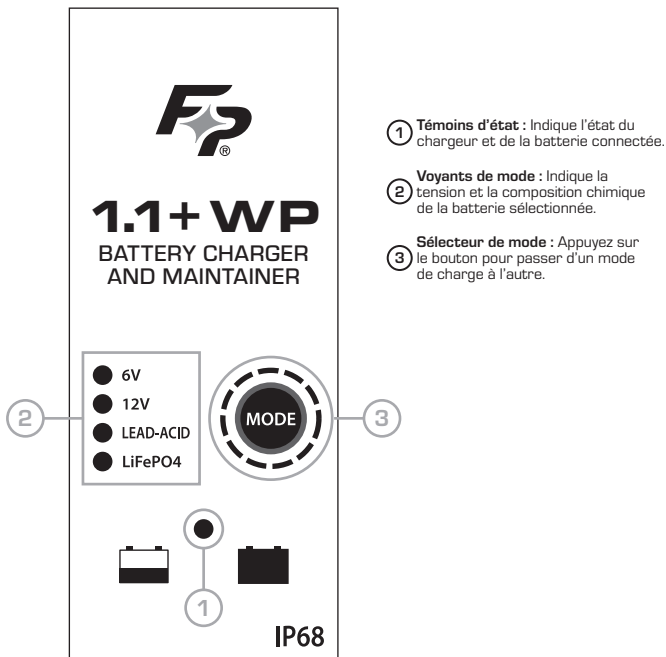
- Ce chargeur n'est pas destiné à être utilisé par des enfants.
- Le cordon d'alimentation ne peut pas être remplacé. Si le cordon est endommagé, l'appareil doit être mis au rebut.
- Examinez régulièrement le chargeur de batterie pour vérifier qu'il n'est pas endommagé, en particulier le cordon, la fiche et le boîtier. Si le chargeur de batterie est endommagé, il ne doit pas être utilisé tant qu'il n'a pas été réparé.

## **ICES-001 : GÉNÉRATEURS DE RADIOFRÉQUENCES INDUSTRIELS, SCIENTIFIQUES ET MÉDICAUX (ISM)**

Ce produit a été testé avec les normes listées et s'est avéré conforme au Code d'Industrie Canada ES-001 et à la procédure de mesure selon CISPR 11.

**CAN ICES-001 (B)/NMB-001 (B)**

## **CARACTÉRISTIQUES**



- ① **Témoins d'état :** Indique l'état du chargeur et de la batterie connectée.
- ② **Voyants de mode :** Indique la tension et la composition chimique de la batterie sélectionnée.
- ③ **Sélecteur de mode :** Appuyez sur le bouton pour passer d'un mode de charge à l'autre.

Tableau 2. Fonctionnement des indicateurs d'état

Témoin d'état	Description
Jaune clignotant	Alimentation CA en cours; batterie non connectée
Jaune solide	La batterie est en charge et est moins de 80 % chargé
Vert clignotant	La batterie est chargée à plus de 80 %
Vert solide	La charge de la batterie est terminée; la batterie est maintenue à 100 % du niveau de charge

Tableau 3. Indication d'avertissement

Indication	Description/ Action
Clignotant 6V ou 12V lumière	La batterie peut être défectueuse ou la tension de la batterie a été sélectionnée incorrectement. Si la tension de batterie appropriée est sélectionnée, amener la batterie au concessionnaire pour le test.
Clignotant LiFePO4	Le chargeur tente de ramener une batterie au lithium fortement déchargée à un état normal.
Voyants d'état alternés jaunes et verts	La charge a détecté une connexion de polarité inverse à la batterie. Vérifiez que la batterie est correctement branchée. Si la tension de batterie est bien connectée, amener la chez le concessionnaire pour le test.

## MODES DE CHARGE

Le modèle no. 490-2907 dispose d'un bouton de sélection de mode pour sélectionner les batteries 6V ou 12V acide de plomb ou LiFePO4.

**AVERTISSEMENT** : Le mode LiFePO4 ne doit être sélectionné que pour charger des batteries LiFePO4 dotées d'un système de gestion de batterie (BMS) intégré Consultez toujours le fabricant de la batterie pour vérifier l'adéquation du chargeur avant de procéder à la charge.

## MODE D'EMPLOI

### **AVERTISSEMENT : N'utilisez que le modèle no. 490-2907 avec des batteries ACIDE DE PLOMB et LiFePO4.**

La capacité nominale recommandée des batteries à recharger :

- Acide de Plomb, 5–55Ah
- LiFePO4, jusqu'à 10Ah

### **RÉGLAGE DU MODE DE FONCTIONNEMENT**

1. Vérifier la tension et la chimie de la batterie à charger.
2. Branchez le chargeur sur une prise secteur pour l'alimenter.
3. Passez d'un mode de fonctionnement à l'autre en appuyant sur le bouton de sélection du mode. Arrêtez d'appuyer sur le bouton lorsque la tension et la composition chimique souhaitées sont sélectionnées
4. Débranchez le chargeur en le retirant de la prise de courant.

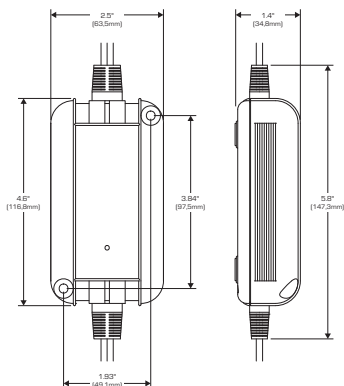
### **CONNECTER LE CHARGEUR À LA BATTERIE**

1. Vérifier que l'alimentation en courant alternatif a été déconnectée du chargeur. Ne branchez pas le chargeur sur le secteur tant que toutes les autres connexions n'ont pas été correctement effectuées.

- Fixez les clips du chargeur comme indiqué aux points 15(e), 15(f), et 16(b) à 16(d) dans les instructions de sécurité précédentes.

## COMMENCER LA CHARGE

- Vérifier que le chargeur est correctement connecté à la batterie à charger.
- Alimentez le chargeur en le branchant sur une prise de courant alternatif.
- Vérifiez que le mode de charge sélectionné correspond à la batterie connectée au chargeur.
- Le chargement a commencé lorsque le voyant d'état est jaune fixe ou vert clignotant.
- Le chargeur peut rester connecté à la batterie indéfiniment pour maintenir une charge complète.



**Tableau 4. Temps de charge en heures**  
(les résultats réels peuvent varier)

Taille de la batterie	Acide de plomb	LiFePO4
2AH	1,4	1,8
4AH	2,8	3,6
8AH	5,5	7,3
10AH	6,9	9,1
12AH	8,3	N/A
20AH	13,8	N/A
35AH	24,1	N/A
55AH	37,8	N/A

## GARANTIE LIMITÉE

**FIRE POWER ACCORDE CETTE GARANTIE LIMITÉE AU PREMIER ACHETEUR DE CE PRODUIT AUPRÈS DE FIRE POWER OU D'UN REVENDEUR OU DISTRIBUTEUR AGRÉÉ PAR FIRE POWER. CETTE GARANTIE LIMITÉE N'EST NI TRANSFÉRABLE NI CESSIBLE.**

Fire Power garantit que ce chargeur de batterie est exempt de tout défaut de matériau et de fabrication pendant trois ans à compter de la date d'achat (la « période de garantie »). En l'absence de preuve d'achat, la période de garantie commence à courir. Tout produit présentant un défaut de matériel ou de fabrication pendant la période de garantie sera réparé ou remplacé à la discrétion d'Alimentation. Les chargeurs réparés ou remplacés seront garantis pour le reste de la période de garantie initiale. L'acheteur d'origine est responsable de l'envoi du produit défectueux, en port payé, à Alimentation pour réparation ou remplacement.

**CETTE GARANTIE EST NULLE ET NE S'APPLIQUE PAS AUX PRODUITS QUI :**

- sont mal utilisés, soumis à un abus ou à une manipulation négligente, à un accident ou utilisés dans des conditions de tension, de température, de chocs ou de vibrations extrêmes dépassant les recommandations de Alimentation pour une utilisation sûre et efficace ;
- ont été modifiés sans l'autorisation écrite expresse de Alimentation ;

3. ont été démontés ou réparés par une personne autre qu'un fournisseur de services agréé par Alimentation.

### **CETTE GARANTIE NE COUVRE PAS**

1. l'usure normale ;
2. les dommages cosmétiques qui n'affectent pas la fonctionnalité ; ou
3. les produits dont le numéro de série d'origine est manquant, modifié ou abîmé.

**POUR INTRODUIRE UNE RÉCLAMATION DE GARANTIE**, veuillez retourner chez le revendeur où le produit a été acheté.

Fire Power ne donne aucune autre garantie, y compris, mais sans s'y limiter, les garanties expresses, implicites ou statutaires, y compris, mais sans s'y limiter, toute garantie implicite de qualité marchande ou garantie implicite d'adéquation à un usage particulier. Fire Power décline toute responsabilité pour les réclamations de dommages accessoires, spéciaux ou consécutifs encourus par les acheteurs, les utilisateurs ou autres associés à ce produit, y compris, mais sans s'y limiter, les profits perdus, les revenus, les ventes anticipées, les occasions d'affaires, la bonne volonté, l'interruption de l'activité et tout autre préjudice ou dommage. Toutes ces garanties, autres que la garantie limitée incluse dans le présent document, sont expressément rejetées et exclues par la présente. Certains États n'autorisent pas l'exclusion ou la limitation des dommages accessoires ou indirects, ni la durée des garanties implicites, de sorte que les limitations ou exclusions susmentionnées peuvent ne pas s'appliquer à vous. Cette garantie vous donne des droits légaux spécifiques et il est possible que vous ayez d'autres droits qui diffèrent de cette garantie.